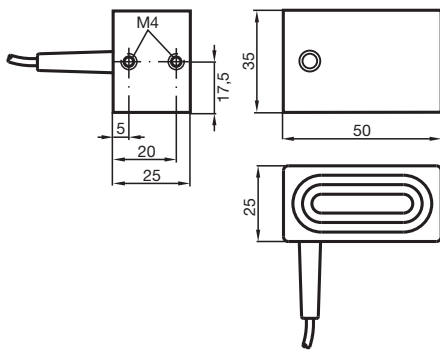


# Inductive sensor

## FJ7-A2-Y20193



### Dimensions



### Technical Data

#### General specifications

|                            |       |               |
|----------------------------|-------|---------------|
| Switching function         |       | complementary |
| Output type                |       | PNP           |
| Rated operating distance   | $s_n$ | 7 mm          |
| Installation               |       | flush         |
| Output polarity            |       | DC            |
| Assured operating distance | $s_a$ | 0 ... 5.67 mm |
| Reduction factor $r_{Al}$  |       | 0.4           |
| Reduction factor $r_{Cu}$  |       | 0.3           |
| Reduction factor $r_{304}$ |       | 0.85          |
| Output type                |       | 4-wire        |

#### Nominal ratings

|                                |       |                            |
|--------------------------------|-------|----------------------------|
| Operating voltage              | $U_B$ | 10 ... 30 V                |
| Switching frequency            | $f$   | 0 ... 200 Hz               |
| Hysteresis                     | $H$   | typ. 3 %                   |
| Reverse polarity protection    |       | reverse polarity protected |
| Short-circuit protection       |       | pulsing                    |
| Voltage drop                   | $U_d$ | $\leq 3$ V                 |
| Operating current              | $I_L$ | 0 ... 200 mA               |
| No-load supply current         | $I_0$ | $\leq 20$ mA               |
| Time delay before availability | $t_v$ | $\leq 20$ ms               |

#### Compliance with standards and directives

Release date: 2022-06-21 | Date of issue: 2022-06-21 | Filename: 020193\_eng.pdf

Refer to "General Notes Relating to Pepperl+Fuchs Product Information".

Pepperl+Fuchs Group  
www.pepperl-fuchs.com

USA: +1 330 486 0001  
fa-info@us.pepperl-fuchs.com

Germany: +49 621 776 1111  
fa-info@de.pepperl-fuchs.com

Singapore: +65 6779 9091  
fa-info@sg.pepperl-fuchs.com

PEPPERL+FUCHS

## Technical Data

|                                  |   |
|----------------------------------|---|
| Standard conformity              |   |
| Standards                        | EN 60947-5-2:2007<br>IEC 60947-5-2:2007 |
| <b>Ambient conditions</b>        |   |
| Ambient temperature              | -25 ... 70 °C (-13 ... 158 °F)          |
| <b>Mechanical specifications</b> |   |
| Core cross section               | 0.5 mm <sup>2</sup>                     |
| Housing material                 | brass, zinc plated                      |
| Sensing face                     | POM                                     |
| Degree of protection             | IP67                                    |

## Connection

